

Electric Food Car

with Wood or Gas-Fired Oven



Overview

Meet sustainability, productivity, and budget goals while delivering an outstanding on-campus experience. This street legal vehicle has been known to perform a minimum of 8 hours on a single charge. This innovation combines the electric car and pizza oven trailer in one. And is designed for one person to operate efficiently. Each car is equipped with a stainless steel Marra Forni wood or gas brick oven (electric ovens will soon be available) and an integrated stretching table with a refrigerated condiment rail. See oven specs on the reverse side.

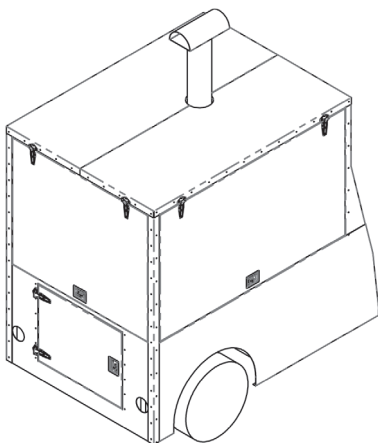
Car Features

- Street-legal
- Zero emission
- 48V Plug-in Rechargeable Battery
- Low \$0.03 cents per mile operating cost
- Capable of up to 98 miles per charge
- Integrated stretching table
- Refrigerated condiment rail
- Premium comfortable seating for two

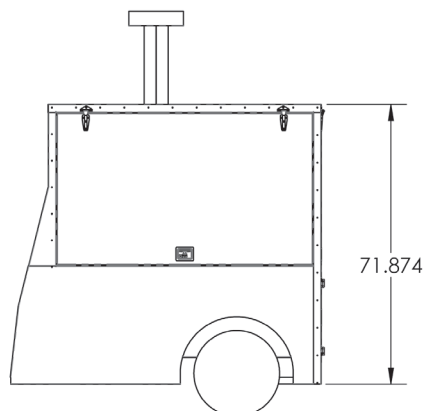
Additional Car Facts

- Premium comfortable seating for two.
- Can achieve a top speed of 25 mph.
- Can be driven on many roads with a posted speed limit of 35 mph or less.
- Ideal vehicle for driving in campuses, military bases, gated communities, resorts, or sports stadiums.
- Takes approximately 6-8 hours to recharge from fully discharged state.
- Car products are sold through authorized GEM dealerships.

Plan View



Side View



Back View

