

Single Axle Trailer



Overview

Marra Forni Single Axle Trailers are the ideal vehicles for mobilizing ovens. Each trailer is reinforced with ribs to support the weight of the oven and is built with a flat platform for ample support including an exerted 3 inch wall all around the plate. The trailer allows for wood storage and possible cooler storage. The rear lighting affords optimal flexibility for maneuvering from day to night.

Standard Features

- Key lockable and removable barn doors
- Electric and manual brakes
- 7 RV plug
- Galvanized tongue jack and leveling jacks
- Easy to use clam hitch
- Rubber shock mounted lights
- Marine sealant for seamed sealed joints
- Standard garage size
- Meets required NATM standards
- Exceeds Federal Highway Safety Standard
- Black all frame work on inside
- Three inch tubing top rail on each side

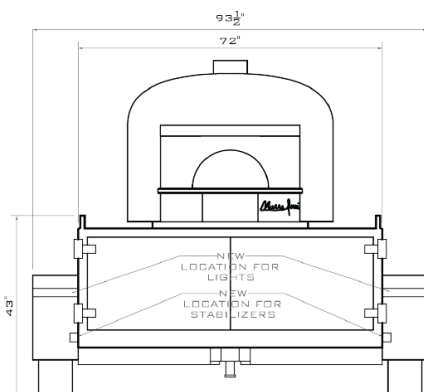
Dimensions

- Length: 72 inches
- Width: 94 inches
- Height: 43 inches
- Maximum capacity: 5000 lbs
- Deck Height: 44 inches

Certifications



Front View



Side View

