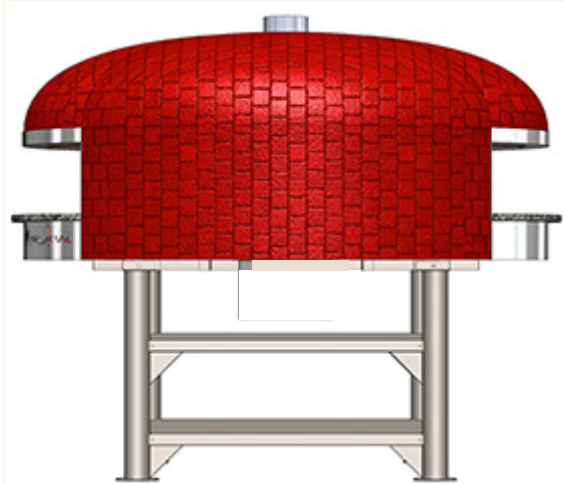


## Due Bocche Neapolitan 165 (DBNP165W) Wood Fired Ovens

### Overview



Our 165 Neapolitan Due Bocche Model, which is designed specifically to accommodate the high-volume pizza making of a true pizzaiolo. The 165 features a 64.96 inch deck. The dome and deck consist of refractory bricks with 4 inches of multi-layered insulation in the dome and 8 inches in the deck. The oven features a 26 inch by 9.5 inch opening along with a stainless steel flue collar atop the dome. A round flue adapter comes standard on all ovens.

The oven requires a 2" tolerance in all directions, and comes standard with a fire-rated tile clay dome. The 165 Neapolitan Due Bocca model also features a 14 inch landing on the opening, as well as a control located between the deck and the top of the dome for getting a precise reading. Oven can be vented directly to the roof or vented through a powered type 1 exhaust hood with approved exhaust duct in accordance with all local and national codes. For wood burning ovens, they must be vented as a solid fuel burning appliance and must be installed following a manner that obeys all local and national codes and is acceptable to authority having jurisdiction.

### Pizza Capacity

Cooking Surface = 22.89 sq. ft.  
Pizza Capacity 8" = 18-20  
Pizza Capacity 10" = 16-18  
Pizza Capacity 12" = 14-16  
Pizza Capacity 16" = 10-12

### Standard Features

Dome Terra Cotta Finish  
Brick Deck  
Door  
Stainless Steel Flue Collar/Adapter  
Steel Stand  
Powder Coating  
3 Year Deck and Dome Warranty  
1 Year Parts and Labor Warranty

### Optional Features

Stainless Steel Mask  
Stainless Steel Stand  
Custom Tile Applications  
Exhaust Fan  
All Fuel Grease Duct  
Stainless Steel Oven Tools  
Fan Interlock  
Interior Lights

### Venting

The oven is vented through an 8" round duct collar. The Neapolitan gas ovens can be installed with a listed exhaust hood system or with a direct vent exhaust duct vented outside without an exhaust hood, but must be installed with a power exhausted vent.  
Cubic Feet per Minute: 150CFM  
Static Pressure: 0.01"W.C

### Clearance Requirements

2" Minimum clearance for Combustibles on all sides.  
0" Minimum clearance for Non Combustibles.

### Shipping Dimensions

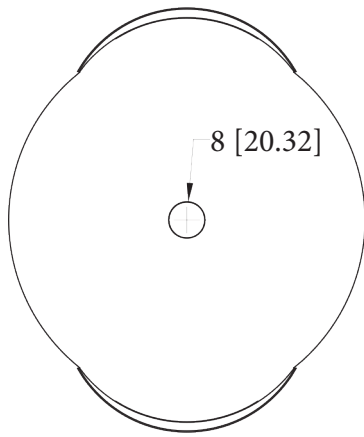
Actual Weight: 6,300 LBS  
Crate Weight: 6,700 LBS  
Crate Width: 108"  
Crate Depth: 95"  
Crate Height: 86"

### Approved

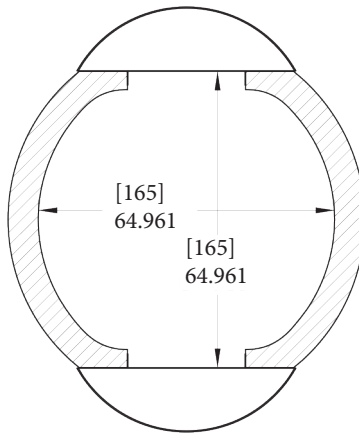


## Due Bocche Neapolitan165 (DBNP165W) Wood Fired Ovens

Top View



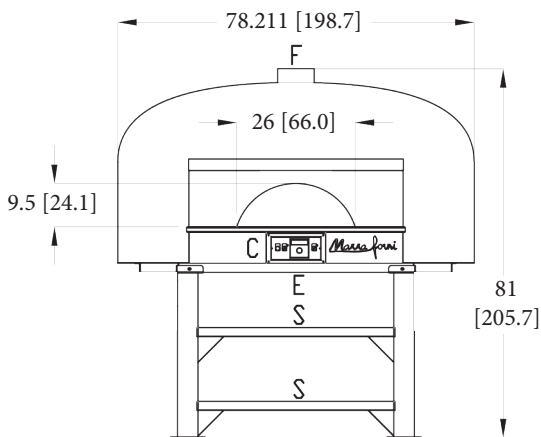
Plan View



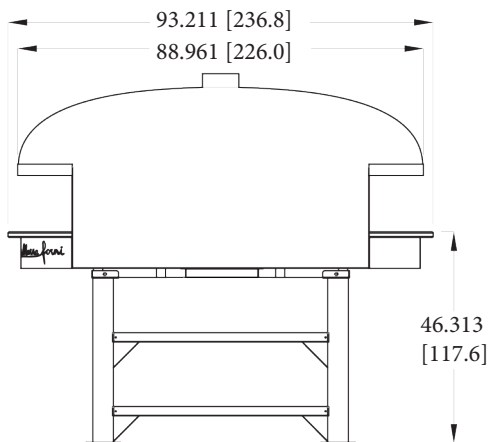
Legend

- C**-Controls
- E**-Electrical Connection Flexible Cord
- F**-Flue Collar
- G**-Gas Connection
- S**-Storage Shelf

Front View



Side View



Notes

An ongoing program of product improvement may require us to change specifications without notice.

All ovens are designed to suit commercial usage.

Spec dimensions to be +/- 0.50 inch.

Oven sizes refer to dome interior size.

All Marra Forni ovens are ETL, and VPN approved.

All oven Freight Class 77.5 and must be shipped LTL.

Learn about gas, electrical, venting and clearance requirements at [MARRAFORNI.COM](http://MARRAFORNI.COM)

