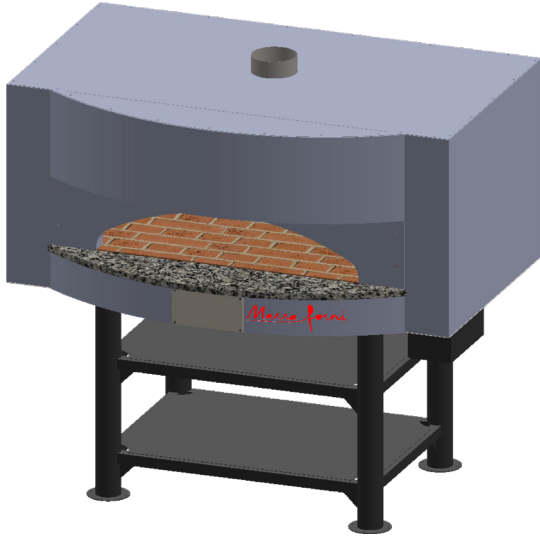


## Square Oven 68-32 (MS 68-32W) Wood Fired Ovens

### Overview



Our Square Oven 68-32 is designed specifically to accommodate the high-volume pizza making of a true Pizzaiolo. This model features a 68 inch wide by 32 inch deep deck. The dome and deck consist of refractory bricks with 4 inches of multi-layered insulation in the dome and 8 inches in the deck. The oven features a 48 inch by 9.5 inch opening along with a stainless steel flue collar atop the dome. A round flue adapter comes standard on all ovens.

The oven requires a 2 inch tolerance in all directions, and comes standard with a fire-rated tile clay dome. The Square model also features a 12 inch landing on the opening, as well as a control located between the deck and the top of the dome for getting a precise reading. Oven can be vented directly to the roof or vented through a powered type 1 exhaust hood with approved grease rated duct in accordance with all local and national codes. Wood burning ovens must be vented as a solid fuel burning appliance and must be installed following a manner that obeys all local and national codes and is acceptable to authority having jurisdiction.

### Pizza Capacity

Cooking Surface = sq. ft.  
Pizza Capacity 8" = 16  
Pizza Capacity 10" = 10  
Pizza Capacity 12" = 6  
Pizza Capacity 16" = 4

### Standard Features

Touch screen  
Refractory Proprietary Brick Deck  
Steel Stand  
Door / Fire Suppressor  
Powder Coating  
Stainless Steel Flue Collar/Adapter  
2 Year Deck and Dome Warranty  
1 Year Parts and Labor Warranty

### Optional Features

Stainless Steel Frame  
Stainless Steel Stand  
Enclosed Facade  
Integrated Exhaust System  
Interior Lights  
Aluminum Oven Tools

### Venting

The oven is vented through an 8" round duct collar. The Neapolitan wood, gas, and combination gas-wood ovens can be installed with a listed exhaust hood system or with a chimney/grease duct vented outside without an exhaust hood, but must be installed with a power exhausted vent. Cubic Feet per Minute: 150CFM  
Static Pressure: 0.01" W.C.

### Clearance Requirements

2" Minimum clearance for Combustibles on all sides.  
0" Minimum clearance for Non Combustibles.

### Shipping Dimensions

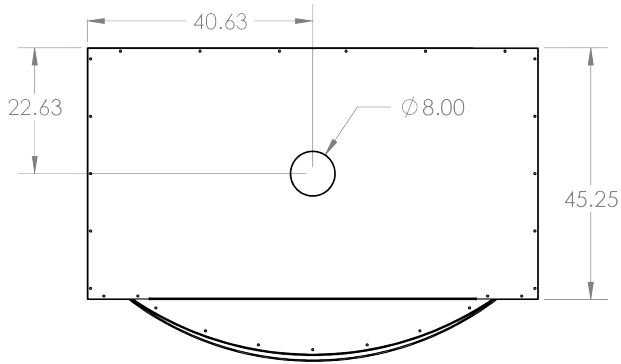
Actual Weight: LBS  
Crate Weight: LBS  
Crate Width: 87.25"  
Crate Depth: 78.36"  
Crate Height: 86.5"

### Certifications

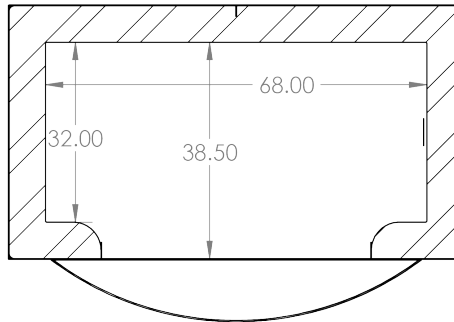


## Square Oven 68-32 (MS 68-32W) Wood Fired Ovens

Top View



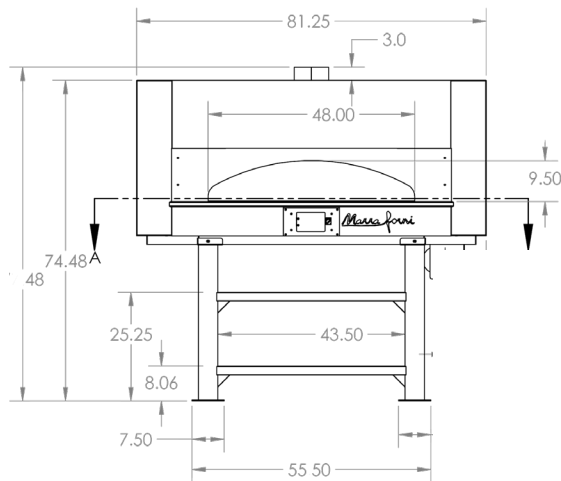
Plan View



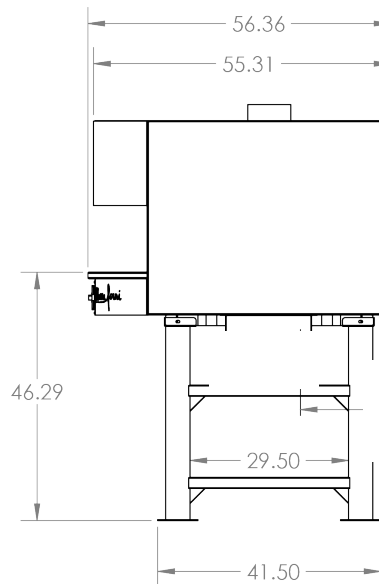
Legend

- C**-Controls
- E**-Electrical Connection Flexible Cord
- F**-Flue Collar
- S**-Storage Shelf

Front View



Side View



Notes

An ongoing program of product improvement may require us to change specifications without notice.

All ovens are designed to suit for both commercial and residential usage.

Spec dimensions to be +/- 0.50 inch.

Oven sizes refer to dome interior size.

All Marra Forni ovens are ETL, and VPN approved.

All oven Freight Class 77.5 and must be shipped LTL.

All Marra Forni ovens are approved with a door that is used as a fire suppressor. The door completely closes the front cavity of the oven. Sprinkler/ ansul systems not required.

Learn about gas, electrical, venting and clearance requirements at [MARRAFORNI.COM](http://MARRAFORNI.COM)

