

Marra Flywheel Slicer Volano 350



Overview

The Marra Flywheel Slicer lets you cut fresh slices of deli favorites. This unit is fully operated by hand, leaving you free to display your slicer anywhere to entice customers. This slicer combines function with style, featuring a variety of color finishes with and unique flywheel design for visual appeal. Its hand-operated 10" blade lets you cut slices from ultra-thin up to 20mm thick. Additionally, this slicer is manufactured in Italy using aluminum and steel construction for years of durability and reliable use. The blade sharpener is built-in and equipped with a protection ring that meets NSF standards.

Specifications

All Slicers: Freight Class 85
One Year Parts, Labor Warranty

Standard Features

Cast In Aluminum And Steel
Hand Operated; No Electrical Requirements
Equipped With NSF Compliant Protection Ring
Features Built-In Blade Sharpener
Fully Operated By Hand
Can Be Displayed Anywhere

Optional Functions

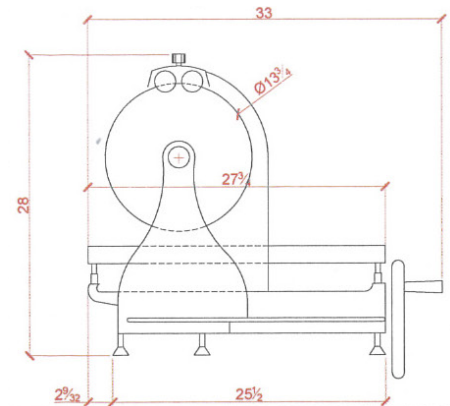
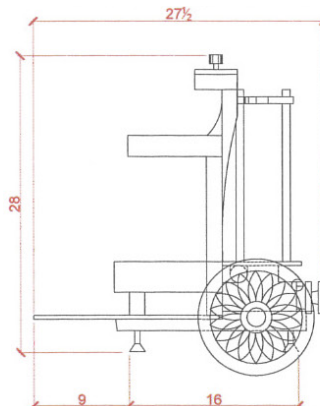
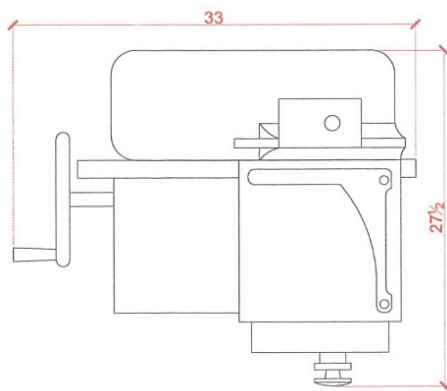
Choice of Flywheel Styles
Available RAL Colors
Pedestal

Dimensions

Weight: 144 lbs
Crated Weight: 225 lbs
Measures: 33"L x 27.5"W x 28"H
Crated Measures: 48"L x 40"W x 30"H

Pedestal Optional

Measures 18"L x 13.75"W x 25"H
Cast Iron Construction
Weight: 144 lbs
Crated Weight: 225 lbs
All Slicers: Freight Class 85
One Year Parts, Labor Warranty



Marra Flywheel Slicer Pedestal

Slicer sold separately



Overview

The perfect companion to your manual Marra Flywheel Slicer. This pedestal stand provides a sturdy base to set your slicer on. Customize the color to match the slicer. The bright color finishes and ornate footed design are sure to draw attention as you slice fresh meats and cheeses right in front of your customers!

Specifications

All Slicers: Freight Class 85
One Year Parts, Labor Warranty

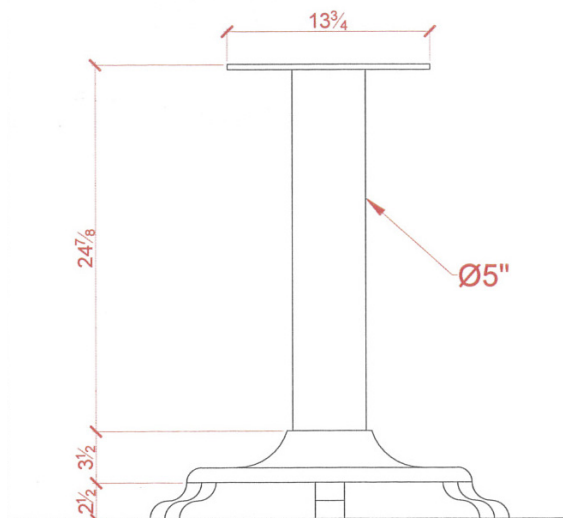
Standard Features

Cast Iron Construction
Customize With Available RAL Colors

Dimensions

Weight: 144 lbs
Crated Weight: 225 lbs
Measures: 18"L x 13.75"W x 25"H
Crated Measures: 48"L x 40"W x 30"H

Front View



Side View

