

## Rotator 150 (RT150WG) Wood & Gas Fired Brick Ovens

### Overview



Our 150 Rotator Neapolitan model, which is designed specifically to accommodate the high-volume pizza making of a true Pizzaiolo. The 150 features a 59.06 inch deck. The dome and deck consist of refractory bricks with 4 inches of multi-layered insulation in the dome and 8 inches in the deck. The oven features a 26 inch by 9.5 inch opening along with a stainless steel flue collar atop the dome.

The oven requires a 2" tolerance in all directions, and comes standard with a fire-rated tile clay dome. The 150 Rotator Neapolitan model also features a 14 inch landing on the opening, as well as a control located between the deck and the top of the dome for getting a precise reading. Oven can be vented directly to the roof or vented through a powered type 1 exhaust hood with approved exhaust duct in accordance with all local and national codes. Oven must be installed following a manner that obeys all local and national codes and is acceptable to authority having jurisdiction.

### Pizza Capacity

Cooking Surface = 15.5 sq. ft.  
Pizza Capacity 8" = 14 -16  
Pizza Capacity 10" = 12 -14  
Pizza Capacity 12" = 8 -12  
Pizza Capacity 16" = 7 -8

### Gas Requirements

Gas connections 3/4" NPT per burner, quick disconnect gas hose must be used.  
Pressure required 10" - 14" W.C. (Water Column) at the gas valve.  
84,000 BTU's per burner.

### Electrical Requirements

120V/ Single Phase / 12 Amps  
9 ft. power cable integrated.

### Venting

The oven is vented through an 8" round duct collar. The Neapolitan gas ovens can be installed with a listed exhaust hood system or with a direct vent exhaust duct vented outside without an exhaust hood, but must be installed with a power exhausted vent  
Cubic Feet per Minute: 150CFM  
Static Pressure: 0.01" W.C.

### Standard Features

Touch Screen  
Dome Terra Cotta Finish  
Turbo Burner  
Brick Deck  
Wood Chamber  
Stainless Steel Flue Collar/Adapter  
Steel Stand  
Powder Coating  
2 Year Deck and Dome Warranty  
1 Year Parts and Labor Warranty

### Optional Functions

Custom Tile Applications  
Integrated Exhaust System  
Exhaust Fan  
Stainless Steel Mask / Stand  
Enclosed Facade  
All Fuel Grease Duct  
Gas Burning Accessories  
Aluminum Oven Tools

### Clearance Requirements

2" Minimum clearance for Combustibles on all sides.  
0" Minimum clearance for Non Combustibles.

### Shipping Dimensions

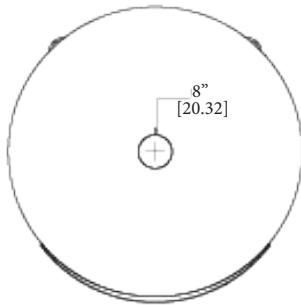
Actual Weight: TBD  
Crated Weight: TBD  
Crated Width: 96"  
Crated Depth: 87"  
Crated Height: 90"

### Certifications

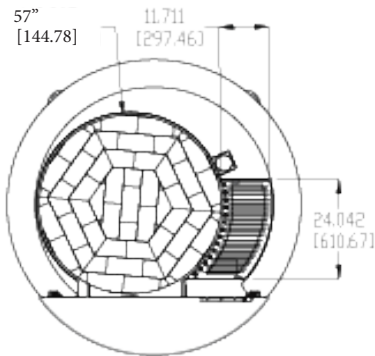


## Rotator 150 (RT150WG) Wood & Gas Fired Brick Ovens

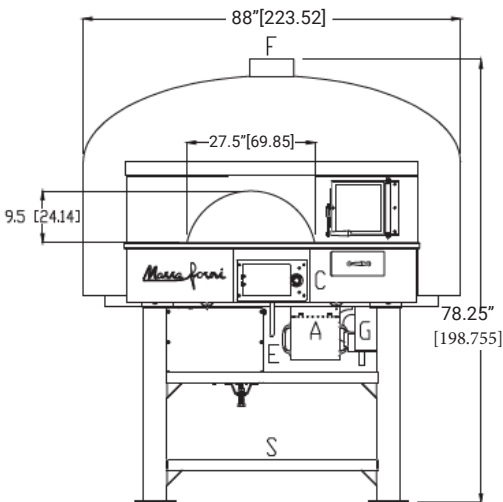
Top View



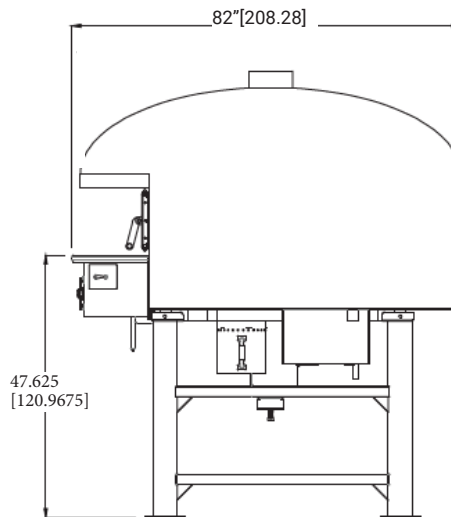
Plan View



Front View



Side View



Legend

- C**-Controls
- E**-Electrical Connection Flexible Cord
- F**-Flue Collar
- G**-Gas Connection
- S**-Storage Shelf

Notes

An ongoing program of product improvement may require us to change specifications without notice.

All ovens are designed for commercial usage.

Spec dimensions to be +/- 0.50 inch.

Oven sizes refer to dome interior size.

All Marra Forni ovens are ETL, and VPN approved.

All oven Freight Class 77.5 and must be shipped LTL.

All Marra Forni ovens are approved with a door that is used as a fire suppressor. The door completely closes the front cavity of the oven. Sprinkler/ansul systems not required.

Learn about gas, electrical, venting and clearance requirements at [MARRAFORNI.COM](http://MARRAFORNI.COM)

